



***February 15-17, 2018***  
***Washington State***  
***Convention Center***

## ***EXHIBITOR KIT***

Please retain copies of the completed order forms for your records.  
Make sure to mail, fax or email completed copies with payment to each  
contractor providing services.





CannaCon 2018  
Washington State Convention Center  
February 15-17, 2018  
S02158  
Advance Price Deadline: February 1, 2018

## SHOW INFORMATION

Welcome to the **CANNACON 2018**. DWA is pleased to have been selected as your official convention services contractor. In addition to furniture, carpet, and custom displays, we offer full-service graphics, labor, and freight handling services. Our goal is to help make your show participation a success.

Please contact the DWA Customer Service Department with any questions. We will do our best to assist you with all your show needs and appreciate the opportunity to work with you.

**TO VIEW OUR RENTAL ITEMS, PLEASE VISIT OUR WEBSITE AT [WWW.DWATRADESHOW.COM](http://WWW.DWATRADESHOW.COM)**

---

**HOW TO CONTACT US:** DWA Trade Show & Exposition Services Phone: 503/228-6800  
6700 NE 59th Place Fax: 503/595-1470  
Portland, Oregon 97218 e-mail: [csr@dwatradeshow.com](mailto:csr@dwatradeshow.com)

**BOOTH INFORMATION:** Backwall Drapes: Black  
Siderail Drapes: Black  
Booth Size: 10' x 10'  
Aisle Carpet: Pepper  
PLEASE NOTE: THE BOOTHS ARE NOT CARPETED.

**BOOTH PACKAGE:** Show Management is providing each exhibitor with the following:  
One 7" x 44" Booth Identification Sign, One 6' Table Skirted Black and Two Plastic Side Chairs

**ADVANCE PRICE DEADLINE:** The last day to receive DWA advance pricing is: **February 1, 2018**

---

### FOR YOUR CONVENIENCE, TRY OUR NEW & IMPROVED ONLINE ORDERING SYSTEM!

Please follow the steps below to order your services online:

1. Go to DWA Trade Show & Exposition Service's website at <http://www.dwatradeshow.com>
2. Select "Online Ordering" from the Home Page
3. Set up an account (if you have an account already select that option)
4. Enter the show code **CANNA18**
5. You will be taken to the Show Information page where you will need to enter your booth number and company name
6. Begin entering your order

**Important:** We have included links and information for other contractors' products and/or services. We claim no responsibility for their products or services. Please contact them directly for questions.



CannaCon 2018  
Washington State Convention Center  
February 15-17, 2018  
S02158  
Advance Price Deadline: February 1, 2018

<b>SHOW INFORMATION</b> <b>Page 2</b>
--

<b>EXHIBITOR MOVE-IN:</b>	Wednesday, February 14, 2018	11:00 AM - 11:59 PM
<b>SHOW HOURS:</b>	Thursday, February 15, 2018	10:00 AM - 6:00 PM
	Friday, February 16, 2018	10:00 AM - 6:00 PM
	Saturday, February 17, 2018	10:00 AM - 5:00 PM
<b>EXHIBITOR MOVE-OUT:</b>	Saturday, February 17, 2018	5:00 PM - 11:59 PM
<b>CARRIER CHECK-IN:</b>	Saturday, February 17, 2018	No later than 10:00 PM

---

**FREIGHT HANDLING:** DWA can receive your show freight and deliver it to your booth space. Please read the Freight Handling forms for further information and for Freight Handling rates. Be sure to complete and return the Freight Handling order form to DWA before shipping.

**Advance Shipping Address:** *CANNACON 2018*  
COMPANY NAME - BOOTH #  
YRC c/o DWA  
12855 48th Avenue South  
Tukwila, WA 98168

*To avoid additional after deadline charges, shipments must arrive by: **February 9, 2018***

**Direct Shipping Address:** *CANNACON 2018*  
COMPANY NAME - BOOTH #  
c/o DWA  
WSCC  
800 Convention Place  
Seattle, WA 98101

*All direct shipments must be consigned to DWA and scheduled to arrive during official exhibitor move-in hours only. First day to receive freight at the exhibit site: **February 14, 2018***



CannaCon 2018  
 Washington State Convention Center  
 February 15-17, 2018  
 S02158  
 Advance Price Deadline: February 1, 2018

**PAYMENT POLICIES & CREDIT CARD CHARGE AUTHORIZATION**  
 KEEP ORIGINAL & SEND COPY TO DWA

Please complete the information requested and return payment in full with this form and your orders.

VISA     MASTERCARD     AMERICAN EXPRESS     DISCOVER     Personal     Corporate

Account Number																		
Expiration Date			/			Three or Four Digit Security Code												
Cardholder's Name										Please Print								
Cardholder's Billing Address										City								
State					Zip					Country								
Cardholder's Signature																		

**ADVANCE PRICING**

To qualify for advance pricing, orders must be received on or before the advance price deadline with payment in full. Late orders and orders without payment will be charged at standard prices.

**PAYMENT FOR SERVICES**

DWA requires payment in full at the time services are ordered. If paying by credit card, for your convenience, we will use this authorization to charge your account for services, which may include labor and freight handling not covered by your initial order and orders placed at exhibit site by your company representative.

**METHOD OF PAYMENT**

DWA accepts MasterCard, Visa, Discover, American Express, cash and check. Purchase orders are not considered payment. All payments must be made in U.S. funds drawn on a U.S. bank. Your cancelled check/bank statement and copies of the order form(s) are your receipts. Exhibitors will be charged a \$25.00 fee for returned NSF checks.

**TAX EXEMPT**

If you are tax exempt in the state in which you will be exhibiting, you must provide a Sales Tax Exemption Certificate for that state. Please send the above information to the DWA office for this show. DWA must receive your certificate by the deadline date on the order forms; otherwise tax will appear on your invoice.

**ADJUSTMENTS, CANCELLATIONS AND REFUNDS**

Adjustments to your invoice will not be made after the close of the show. Some items, services and labor are subject to cancellation fees. Refer to each order form for details.

**CALCULATION OF ORDERS**

Furniture, Accessories, Carpet.....	\$		TOTAL FROM EACH ORDER FORM
Signs.....	\$		
Labor/Forklift.....	\$		
Material Handling.....	\$		
Other DWA Services (please specify)_____	\$		
Other DWA Services (please specify)_____	\$		
Other DWA Services (please specify)_____	\$		
TAX ID #93-0642167	TOTAL ORDER	\$	
	Charge my credit card in the amount of	\$	
I have enclosed check number _____ dated _____ in the amount of	\$		

Company Name		Booth Number	
Billing Address		City	State    Zip Code
Telephone		Fax	E-mail
Authorized Contact Signature		Authorized Contact-Please Print	Date

**All orders are governed by DWA's Payment Policy and Limits of Liability and Responsibility.**

**All orders are governed by the DWA Payment Policy and Limits of Liability & Responsibility.**

**Please read carefully.**

1. DWA and its subcontractors shall not be responsible for ordinary wear and tear in handling of equipment, damage to uncrated materials, materials packed improperly, glass breakage or concealed damage. Claims for loss or damage must be submitted to DWA by the close of the show. No suit or action shall be brought against DWA or its subcontractors more than six months after the cause of action accrues.
2. DWA and its subcontractors are not responsible for the loss of, disappearance of, or damage to Exhibitor's freight after the same has been delivered to Exhibitor's booth, nor are DWA and its subcontractors responsible for Exhibitor's freight before it is picked up from Exhibitor's booth for loading after the show. Exhibitors must submit a DWA bill of lading for all outbound shipments. All bills of lading covering outgoing shipments submitted to DWA or its subcontractors by Exhibitor will be checked at the time of pickup from the booth and corrected where discrepancies exist.
3. It is agreed that DWA and its subcontractors are not insurers. Insurance, if any, shall be obtained by Exhibitor. Amounts payable by DWA hereunder are based on the scope of liability as herein set forth and are unrelated to the value of the Exhibitor's property. It is further agreed that DWA and its subcontractors do not provide for full liability should loss or damage occur. In the event that DWA should be found liable for loss or damage to Exhibitor's equipment, the liability shall be limited to the specific article that was physically lost or damaged. Such liability shall be limited to a sum equal to \$.30 per pound/per article with a maximum liability of \$50.00 per item or \$1,000 per shipment, whichever is less, as agreed upon damages and exclusive remedy. Provisions of this paragraph shall apply if loss or damage, regardless of cause of origin, results directly or indirectly to property through performance or nonperformance of obligations imposed by the offering of services to Exhibitors, or from negligence, active or otherwise, by DWA, its subcontractors or their employees.
4. At the close of show, if carriers fail to pick up or refuse to accept shipment, DWA reserves the right to reroute such shipment or move shipment to our warehouse pending advice from Exhibitor who will be charged accordingly for this service. No liability will be assumed as a result of such rerouting or handling. Thus, in order to expedite removal of materials from the show site, DWA shall have the authority to change designated carriers, if such carriers do not pick up on time. Where no disposition is made by Exhibitor, materials will be taken to DWA's warehouse to await Exhibitor's shipping instructions, and Exhibitor agrees to be responsible for payment of charges relating to such handling at the warehouse. DWA assumes no liability as a result of such rerouting or handling.
5. DWA and its subcontractors shall not be liable for shipments received without receipts, freight bills or bill of lading, such as UPS or van lines, these shipments will be delivered to booth without guarantee of piece count or condition. No liability will be assumed for such shipments. Shipments received on separate days will be treated as separate minimum shipments.
6. DWA and its subcontractors shall not be liable to any extent whatsoever for any actual, potential or assumed loss of profits or revenues or for any collateral costs that may result from any loss, injury or damage to Exhibitor's materials or Exhibitor personnel which may make it impossible or impractical to exhibit same.
7. The Exhibitor agrees, in the event of a dispute with DWA or its subcontractors relative to any loss or damage to any of the Exhibitor's freight or equipment, that the Exhibitor will not withhold payment in any amount due to DWA for freight handling services or any other services provided by DWA or its subcontractors as an offset against the amount of the alleged loss or damage. Instead, the Exhibitor agrees to pay DWA prior to the close of the show for all such charges and further agrees that any claim the Exhibitor may have against DWA or its subcontractors shall be pursued independently by the Exhibitor as a completely separate transaction to be resolved on its own merits.
8. DWA and its subcontractors shall not be responsible for any loss, delay, or damage due to events beyond their reasonable control which cannot be avoided by the exercise of due care and prudence, including without limitation, strikes, labor disputes, lockouts or work stoppages of any kind, fire, theft, windstorm, water, vandalism, acts of God, mysterious failure of power or utilities, and other events.
9. The Exhibitor agrees, in connection with the receipt, handling, temporary storage and reloading of its freight, that DWA and its subcontractors will provide these services as Exhibitor's agent and not as bailee or shipper. If any employee of DWA or its subcontractors shall sign a delivery receipt, bill of lading or other document, the parties agree that DWA or its subcontractor will do so as the Exhibitor's agent, and the Exhibitor accepts the responsibility thereof.
10. Empty Storage labels will be available at the DWA Service Desk. Affixing the labels is the sole responsibility of the Exhibitor or its representative. It is understood that these labels are used for empty storage only, and DWA and its subcontractors assume no responsibility or liability for loss or damage to contents while containers are in storage or for mislabeled containers.
11. Rates are subject to Union contract changes and rates effective at time of show. Rates include Social Security, Worker's Compensation Insurance and Public Liability Insurance. DWA and its subcontractors shall not be responsible for loss, delay or damage due to strikes, lockouts, or work stoppages of any kind.
12. Please ship early and ship prepaid. DWA will not accept collect shipments.



CannaCon 2018  
 Washington State Convention Center  
 February 15-17, 2018  
 S02158  
 Advance Price Deadline: February 1, 2018

**THIRD PARTY BILLING  
ORDER FORM**

KEEP ORIGINAL & SEND COPY TO DWA

You may arrange for a third party to handle your display and be billed for services. DWA will agree to this arrangement if the third party has a satisfactory payment record with us. BOTH firms must complete this form, and the third party must complete the credit card charge authorization on the Payment Policies & Credit Card Authorization Form. Return both forms by the deadline date.

It is understood and agreed that the exhibiting firm is ultimately responsible for payment of charges. If your named third party does not pay the invoice before the last day of the show, charges will revert to you, the exhibiting firm. All invoices are due and payable upon receipt.

**Exhibiting Firm**

\_\_\_\_\_  
Exhibiting Firm

\_\_\_\_\_  
Address

\_\_\_\_\_  
City State Zip

\_\_\_\_\_  
Phone Fax

\_\_\_\_\_  
Authorized Signature

\_\_\_\_\_  
Authorized Name (print)

**Third Party**

\_\_\_\_\_  
Third Party/Display House

\_\_\_\_\_  
Address

\_\_\_\_\_  
City State Zip

\_\_\_\_\_  
Phone Fax

\_\_\_\_\_  
Authorized Signature

\_\_\_\_\_  
Authorized Name (print)

ALL DWA SERVICES WILL BE INVOICED TO THE THIRD PARTY UNLESS INDICATED BELOW:

\_\_\_\_\_

\_\_\_\_\_

**EXHIBITING FIRM'S Credit Card Charge Authorization (INFORMATION MUST BE PROVIDED.)**

American Express     Visa     MasterCard     Discover     Corporate     Personal

**Account #**        **Expiration Date**

**Three or Four Digit Security Code**

**X**

\_\_\_\_\_  
CARDHOLDER'S SIGNATURE PRINT NAME

\_\_\_\_\_  
CARDHOLDER'S BILLING ADDRESS CITY STATE ZIP

Company Name	Booth Number	<b>All orders are governed by DWA's Payment Policy and Limits of Liability and Responsibility.</b>
Billing Address	City State Zip Code	
Telephone	Fax E-mail	
Authorized Contact Signature	Authorized Contact-Please Print Date	

RETURN TO: DWA Trade Show & Exposition Services  
 6700 NE 59th Place, Portland, Oregon 97218  
 Telephone: 503/228-6800 Fax: 503/595-1470  
 E-mail: csr@dwatradeshow.com http://www.dwatradeshow.com



CannaCon 2018  
 Washington State Convention Center  
 February 15-17, 2018  
 S02158  
 Advance Price Deadline: February 1, 2018

<b>EXHIBITOR APPOINTED CONTRACTOR          ORDER FORM</b> KEEP ORIGINAL & SEND COPY TO DWA
---

**Exhibitors are allowed to use the services of an Exhibitor Appointed Contractor (EAC) provided the following conditions are met:**

The EXHIBITOR is required to complete and return this form as well as the "Third Party Authorization Form" included with this Exhibitor Kit. Both forms must be filled out completely, including credit card information. The forms must be signed by both parties and returned to DWA Trade Show & Exposition Services at least 30 days prior to the show opening.

The EXHIBITOR APPOINTED CONTRACTOR (EAC) is required to provide a certificate of liability insurance of no less than \$1,000,000.00 property damage, loss or personal injury in the form of a policy rider furnished by their broker to Show Management and to DWA Trade Show & Exposition Services (DWA) along with a complete list of exhibitors they intend to serve, at least 30 days prior to the show opening. The EAC must also be able to provide, upon request, the current workers' compensation insurance certificate from the State of Oregon. The EAC must furnish to Show Management and DWA a list of emergency contact names, addresses and phone numbers. All EAC personnel must be properly badged or identified at show site.

<b>EXHIBITOR INFORMATION</b>
------------------------------

I am the representative of the exhibiting company named at the top of this form and have authorized the EAC named below to supervise the installation and dismantle of our exhibit. It is my company's responsibility to inform the EAC of all requirements stated on this form and to assure that the EAC adheres to all show, and facility rules. I understand that the exhibiting company is ultimately responsible for the payment of any charges incurred by the EAC, and that in the event the EAC does not submit payment prior to the last day of the show, such charges will be submitted to the exhibiting company for payment. I authorize the use of the credit card information below to charge any payment due. All invoices must be settled by the exhibiting company by the close of the show.

EXHIBITOR NAME: \_\_\_\_\_ SIGNATURE: \_\_\_\_\_  
 CREDIT CARD ACCOUNT # \_\_\_\_\_ EXP. DATE: \_\_\_\_\_ PERSONAL  COMPANY

<b>EXHIBITOR APPOINTED CONTRACTOR (EAC) INFORMATION</b>
---

EAC COMPANY NAME: \_\_\_\_\_  
 ADDRESS: \_\_\_\_\_  
 CITY / STATE / ZIP: \_\_\_\_\_  
 CONTACT AND/OR ON SITE REPRESENTATIVE: \_\_\_\_\_  
 PHONE: \_\_\_\_\_ FAX: \_\_\_\_\_ EMAIL: \_\_\_\_\_  
 COMMENTS: \_\_\_\_\_

Company Name		Booth Number		<b>All orders          are governed          by DWA's          Payment Policy          and Limits of          Liability and          Responsibility.</b>
Billing Address		City	State Zip Code	
Telephone	Fax	E-mail		
Authorized Contact Signature	Authorized Contact-Please Print	Date		

RETURN TO: DWA Trade Show & Exposition Services  
 6700 NE 59th Place, Portland, Oregon 97218  
 Telephone: 503/228-6800 Fax: 503/595-1470  
 E-mail: csr@dwa tradeshow.com http://www.dwa tradeshow.com



CannaCon 2018  
 Washington State Convention Center  
 February 15-17, 2018  
 S02158

Advance Price Deadline: February 1, 2018

# FURNITURE & ACCESSORIES ORDER FORM

KEEP ORIGINAL & SEND COPY TO DWA

TO VIEW RENTAL ITEMS, PLEASE SEE OUR WEBSITE!

CHAIRS				
Quantity	Description	Advance	Standard	Total
	<sup>110</sup> Plastic Side Chair	\$20.00	\$30.00	
	<sup>120</sup> Fabric Side Chair	\$36.00	\$46.00	
	<sup>130</sup> Fabric Arm Chair	\$40.00	\$52.00	
	<sup>140</sup> Barstool	\$45.00	\$55.00	
	<sup>126</sup> Steno Chair without Arms	\$65.00	\$75.00	

ACCESSORIES				
Quantity	Description	Advance	Standard	Total
	<sup>220</sup> Wastebasket	\$10.00	\$14.00	
	<sup>230</sup> Aluminum Easel	\$29.00	\$34.00	
	<sup>240</sup> Chrome Stanchion	\$25.00	\$31.00	
	<sup>241</sup> Velour Rope/6'	\$18.00	\$25.00	
	<sup>254</sup> Magazine Rack/6 slot	\$54.00	\$67.00	
	<sup>257</sup> Waterfall Bag Rack	\$51.00	\$66.00	
	<sup>258</sup> Chrome Signholder	\$51.00	\$66.00	
	<sup>260</sup> Coat Tree	\$36.00	\$46.00	
	<sup>14</sup> 8' Upright with Base	\$12.00	\$15.00	
	<sup>15</sup> 6' - 10' Extension Bar	\$12.00	\$15.00	
	<sup>92</sup> Executive Desk	\$195.00	N/A	
	<sup>90</sup> Showcase-6' w/2 Shelves	\$298.00	N/A	

TABLE TOP RISERS - 8" Deep (Includes white vinyl covering)				
Quantity	Description	Advance	Standard	Total
	<sup>271</sup> 4' Single Tier, 8" or 15"	\$35.00	\$45.00	
	<sup>273</sup> 6' Single Tier, 8" or 15"	\$42.00	\$53.00	
	<sup>272</sup> 4' Double Tier, 8" and 15"	\$68.00	\$85.00	
	<sup>274</sup> 6' Double Tier, 8" and 15"	\$74.00	\$92.00	

CUSTOM DRAPE - 4' Minimum Order (includes frame)				
Quantity	Description	Advance	Standard	Total
	<sup>1100</sup> 3' High Drape/Per LF	\$ 8.00	\$10.00	
	<sup>1105</sup> 8' High Drape/Per LF	\$10.00	\$12.00	

Available Drape Colors:  <sub>1</sub>Blue  <sub>2</sub>Red  <sub>3</sub>Green  <sub>4</sub>Silver  
 <sub>5</sub>Burgundy  <sub>6</sub>White  <sub>7</sub>Black  <sub>8</sub>Teal  <sub>9</sub>Plum  <sub>11</sub>Beige

PERFBOARD/TACKBOARD - 4' x 8' Panels (Perfboard rental does not include hardware)				
Quantity	Description	Advance	Standard	Total
	<sup>280</sup> Perfboard	\$90.00	\$112.00	
	<sup>281</sup> Tackboard/Grey Fabric	\$90.00	\$112.00	

Vertical  Horizontal (Please check your choice of installation)

TABLES				
Quantity	Description	Advance	Standard	Total
	<sup>210</sup> Coffee Table/18x36x17H	\$40.00	\$50.00	
	<sup>211</sup> Side Table/17x17x17H	\$35.00	\$44.00	
	<sup>200</sup> Cocktail Round/30Hx36D	\$62.00	\$77.00	
	<sup>205</sup> Cocktail Pedestal/42Hx36D	\$67.00	\$83.00	
	<sup>500</sup> 5' Round Undraped/30H	\$32.00	\$39.00	
	<sup>501</sup> 5' Round w/Linen/30H	\$56.00	\$65.00	
	<sup>1000</sup> 54" Linen / Square	\$20.00	\$26.00	
	<sup>1001</sup> 90" Linen / Round	\$23.00	\$29.00	

Select Linen Color:  Blue  White  Black  Plum

### DISPLAY TABLES - 30" High x 24" Wide

(Check color below / 6' & 8' tables skirted 3 sides only)

Qty.	Description	Advance	Standard	Total
	<sup>424S</sup> 4' Skirted Table	\$65.00	\$82.00	
	<sup>624S</sup> 6' Skirted Table	\$75.00	\$92.00	
	<sup>824S</sup> 8' Skirted Table	\$82.00	\$99.00	
	<sup>424U</sup> 4' Unskirted Table	\$40.00	\$50.00	
	<sup>624U</sup> 6' Unskirted Table	\$45.00	\$56.00	
	<sup>824U</sup> 8' Unskirted Table	\$50.00	\$62.00	
	<sup>1010</sup> 4th Side Skirt-30"	\$30.00	\$45.00	

### DISPLAY COUNTERS - 42" High x 24" Wide

(Check color below / 6' & 8' counters skirted 3 sides only)

	<sup>424SC</sup> 4' Skirted Counter	\$73.00	\$91.00	
	<sup>624SC</sup> 6' Skirted Counter	\$81.00	\$101.00	
	<sup>824SC</sup> 8' Skirted Counter	\$90.00	\$112.00	
	<sup>424UC</sup> 4' Unskirted Counter	\$50.00	\$62.00	
	<sup>624UC</sup> 6' Unskirted Counter	\$55.00	\$68.00	
	<sup>824UC</sup> 8' Unskirted Counter	\$60.00	\$75.00	
	<sup>1011</sup> 4th Side Skirt-42"	\$35.00	\$50.00	

### SERPENTINE TABLES - 30" Wide

(Check color below / serpentine tables skirted 3 sides only)

	<sup>430SS</sup> Small Skirted Serpentine	\$ 94.00	\$117.00	
	<sup>530SS</sup> Large Skirted Serpentine	\$108.00	\$135.00	
	<sup>430US</sup> Small Unskirted Serpentine	\$ 49.00	\$ 61.00	
	<sup>530US</sup> Large Unskirted Serpentine	\$ 59.00	\$ 73.00	
	<sup>1010</sup> 4th Side Skirt-30"	\$ 30.00	\$ 45.00	

Select Skirt Color:  <sub>1</sub>Blue  <sub>2</sub>Red  <sub>3</sub>Green  <sub>4</sub>Silver  
 <sub>5</sub>Burgundy  <sub>6</sub>White  <sub>7</sub>Black  <sub>8</sub>Teal  <sub>9</sub>Plum  <sub>10</sub>Gold

Prices include installation, rental and removal. Include Sales and/or Use Taxes as indicated. Make payment in U.S funds drawn on a U.S. bank. **Cancellation Policy:** Items cancelled will be charged at 25% of original price prior to move-in, 50% after move-in begins and 100% after installation. **IMPORTANT NOTE:** Please do not hang any items from our drape backwall. DWA will not be responsible for any damage which may occur to exhibitor equipment that is placed on our drape backwall.

Company Name		Booth Number		<b>All orders are governed by DWA's Payment Policy and Limits of Liability and Responsibility.</b>
Billing Address		City	State Zip Code	
Telephone	Fax	E-mail		
Authorized Contact Signature		Authorized Contact-Please Print	Date	

RETURN TO: DWA Trade Show & Exposition Services  
 6700 NE 59th Place Portland, Oregon 97218  
 Telephone: 503/228-6800 Fax: 503/595-1470  
 E-mail: csr@dwa-tradeshow.com  
 http://www.dwa-tradeshow.com

0214R

Total Rentals Ordered	\$
Add 9.6% Sales and/or Use Tax	\$
<b>PAYMENT ENCLOSED</b>	\$





CannaCon 2018  
 Washington State Convention Center  
 February 15-17, 2018  
 S02158  
 Advance Price Deadline: February 1, 2018

# CARPET, PADDING & VISQUEEN ORDER FORM

KEEP ORIGINAL & SEND COPY TO DWA

## STANDARD BOOTH CARPET

Rental includes installation, front-edge taping and pick up at the close of the show.

Quantity	Size	Advance	Standard	Total
	<sub>910</sub> 9' X 10' 16 oz. Booth Carpet	\$ 95.00	\$118.00	
	<sub>920</sub> 9' x 20' 16 oz. Booth Carpet	\$190.00	\$237.00	
	<sub>930</sub> 9' x 30' 16 oz. Booth Carpet	\$285.00	\$356.00	
	<sub>940</sub> 9' x 40' 16 oz. Booth Carpet	\$380.00	\$475.00	

Select Carpet Color:

- <sub>1</sub>Blue    <sub>2</sub>Red    <sub>3</sub>Green  
 <sub>4</sub>Gray    <sub>7</sub>Black    <sub>8</sub>Teal  
 <sub>9</sub>Plum

## STANDARD CUSTOM CUT BOOTH CARPET

Includes visqueen plastic covering. All custom orders must be received 14 days prior to move-in to guarantee color selection.

Quantity	Size	Advance	Standard	Total
	<sub>975</sub> 16 oz. Custom Carpet/sq. ft.	\$ 1.60'	\$ 2.00'	

Select Carpet Color:

- <sub>1</sub>Blue    <sub>2</sub>Red    <sub>3</sub>Green  
 <sub>4</sub>Gray    <sub>7</sub>Black    <sub>8</sub>Teal  
 <sub>9</sub>Plum

Price for carpet includes delivery, rental, and removal. Labor to install carpet is included when the carpet is installed on a flat floor space prior to exhibit installation. Labor will be charged at published rates when installation is required for stairs, platforms, risers, meeting rooms, or other installations post exhibit installation.

## CARPET PADDING

Quantity	Size	Advance	Standard	Total
	<sub>973</sub> Foam Padding/sq. ft.	\$ 0.70'	\$ 0.85'	

### Cancellation Policy:

Custom size booth carpet cancelled after being cut will be charged 100%. All other carpet cancelled will be charged 50% of original price after move-in begins and 100% of original price after installation.

## VISQUEEN PLASTIC COVERING FOR PROTECTION

Rental includes one-time installation and removal.

Quantity	Size	Advance	Standard	Total
	<sub>972</sub> Plastic Covering/sq. ft.	\$ 0.40'	\$ 0.50'	

Please include a layout diagram in the box below for installation of your carpet if your carpet size is different from your booth size to avoid any unnecessary delays or costs.

Prices include installation, rental and removal. Include Sales and/or Use Taxes as indicated. Make payment in U.S funds drawn on a U.S. bank. **Cancellation Policy:** Items cancelled will be charged at 25% of original price prior to move-in, 50% after move-in begins and 100% after installation. **IMPORTANT NOTE:** Please do not hang any items from our drape backwall. DWA will not be responsible for any damage which may occur to exhibitor equipment that is placed on our drape backwall.

Company Name		Booth Number		<b>All orders are governed by DWA's Payment Policy and Limits of Liability and Responsibility.</b>
Billing Address		City	State      Zip Code	
Telephone		Fax	E-mail	
Authorized Contact Signature		Authorized Contact-Please Print	Date	

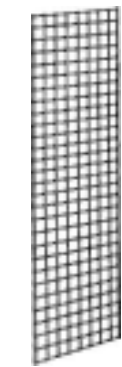
RETURN TO: DWA Trade Show & Exposition Services  
 6700 NE 59th Place Portland, Oregon 97218  
 Telephone: 503/228-6800 Fax: 503/595-1470  
 E-mail: csr@dwa tradeshow.com  
 http://www.dwa tradeshow.com

0214R

Total of Items Ordered	\$	
Add 9.6% Sales and/or Use Tax	\$	
<b>PAYMENT ENCLOSED</b>	\$	

**(AVAILABILITY GUARANTEED ONLY IF ORDERED IN ADVANCE.)**

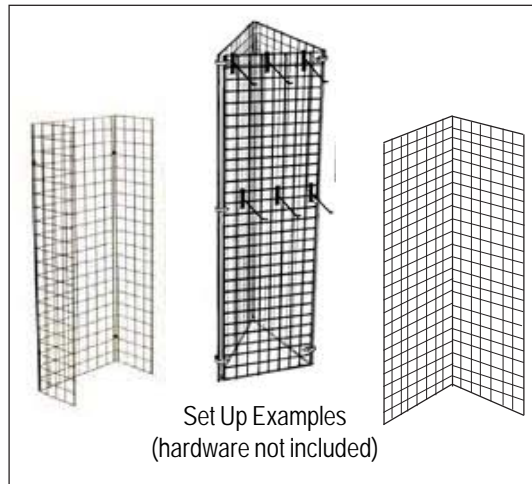
Quantity	Description	Advance	Standard	Total
9800	<b>GRID PANEL, 2' X 8', Black / Per Panel</b> Each panel is 2' x 8' with a 3" x 3" grid. At least two panels are needed to be free standing. Feet must be rented to have a 2' x 8' free standing unit.	\$37.00	\$50.00	
9801	<b>GRID PANEL FEET / Per Set of Two</b> Feet are needed if you want to make one panel free standing.	\$27.00	\$35.00	
9802	<b>MINI GRIDS / 14" x 14" / Per Grid</b> Mini-Grid cube panels snap together with connectors into economical display cubes.	\$ 5.00	\$ 9.00	
9803	<b>MINI GRID CONNECTORS / Bag of 12</b>	\$ 3.00	\$ 5.00	



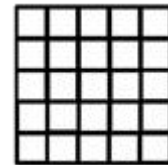
Grid Panel



Grid Panel w/Feet  
(hardware not included)



Set Up Examples  
(hardware not included)



Mini Grid



Cubes made from Mini Grids  
(Set Up Example)

Grid Panels will be delivered to your booth. You are responsible for set up. Zip ties will be available at the DWA Customer Service Desk. Labor may be ordered for assistance in assembling free standing units. Hardware for Grid Panels is not included. Please see Labor Order Form. GRID PANELS MAY NOT BE HUNG FROM BOOTH BACKWALL FRAME OR DRAPES.

Mini Grids must be picked up at the DWA Customer Service Desk.

Prices include delivery, rental and removal. Include Sales and/or Use Taxes as indicated. Make payment in U.S funds drawn on a U.S. bank. **Cancellation Policy:** Items cancelled will be charged 25% of original price prior to move-in, 50% after move-in and 100% after installation.

Company Name		Booth Number		<b>All orders are governed by DWA's Payment Policy and Limits of Liability and Responsibility.</b>
Billing Address		City	State Zip Code	
Telephone	Fax	E-mail		
Authorized Contact Signature	Authorized Contact-Please Print	Date		

RETURN TO: DWA Trade Show & Exposition Services  
 6700 NE 59th Place Portland, Oregon 97218  
 Telephone: 503/228-6800 Fax: 503/595-1470  
 E-mail: csr@dwa tradeshow.com  
 http://www.dwa tradeshow.com

0805C

Total Rentals Ordered	\$
Add 9.6% Sales and/or Use Tax	\$
<b>PAYMENT ENCLOSED</b>	\$

<b>LOUNGE / RECEPTION FURNISHINGS</b>				
---------------------------------------	--	--	--	--

Quantity	Description	Advance	Standard	Total
	9211 Black Bonded Leather Loveseat (60" long x 36" wide x 33" high)	\$350.00	Not Available	
	9212 Black Bonded Leather Sofa (82" long x 36" deep x 33" high)	\$395.00		
	9213 Black Bonded Leather Chair (40" long x 36" deep x 33" high)	\$295.00		
	9214 Black Coffee Table (46.5" long x 29.5" wide x 18" high)	\$139.00		
	9219 Black End Table (21.58" x 21.58" x 19.58" high)	\$119.00		
	9215 Black Guest Chair	\$ 75.00		
	9216 Nils Chair-Charcoal or White Fabric / Circle Color Choice	\$ 85.00		
	9217 Wire & Wood Shelf Unit (66.5" long x 12" deep x 62" high)	\$ 95.00		
	9220 White Blixt Bar Stool	\$ 75.00		
	9225 Glass Showcase/Locking (64-1/8" tall x 14-3/8" deep x 16-3/4" wide)	\$ 175.00		



Black Loveseat



Black Sofa



Black Chair



Black Coffee Table



Black End Table



White Blixt Bar Stool



Glass Showcase/Locking



Wire & Wood Shelf



Nils Chair



Black Guest Chair

Prices include installation, rental and removal. Include Sales and/or Use Taxes as indicated. Make payment in U.S funds drawn on a U.S. bank. **Cancellation Policy:** Items cancelled will be charged at 25% of original price prior to move-in, 50% after move-in begins and 100% after installation.

Company Name		Booth Number		<b>All orders are governed by DWA's Payment Policy and Limits of Liability and Responsibility.</b>
Billing Address		City	State Zip Code	
Telephone		Fax	E-mail	
Authorized Contact Signature		Authorized Contact-Please Print	Date	

RETURN TO: DWA Trade Show & Exposition Services  
6700 NE 59th Place, Portland, OR 97218  
Telephone: 503/228-6800 Fax: 503/595-1470  
E-mail: csr@dwa tradeshow.com  
http://www.dwa tradeshow.com

011109R

Total of Items Ordered	\$	
Add 9.6% Sales and/or Use Tax	\$	-0-
<b>PAYMENT ENCLOSED</b>	\$	

**SILK PLANTS & FLORAL ARRANGEMENTS**

Quantity	Description	Advance	Standard	Total
	9500 3' to 4' Tall Plant (Spath, Dieffenbachia/Ivy, Dracaena) circle selection	\$57.00	\$71.00	
	9501 5' to 6' Tall Plant (Areca Palm, Ficus) circle selection	\$68.00	\$85.00	
	9502 30" Hydrangea (Blue)	\$37.00	\$47.00	
	9505 15" Geraniums (Pink or Red)	\$23.00	\$31.00	
	9507 6" (1-1/2' wide) Fern	\$16.00	\$25.00	
	9508 8" (2-1/2' wide) Fern	\$25.00	\$35.00	
	9509 Floral Arrangement (call for quotes)	Upon Request	Not Available	



Please Note: Photos are not to scale.

Rental items are the responsibility of the exhibitor. Unless other arrangements have been made all items are to be left in booth at end of show. Substitutions (same size, different plant) may be necessary due to availability and at the discretion of DWA. Prices include installation, rental and removal. Include Sales and/or Use Taxes as indicated. Make payment in U.S funds drawn on a U.S. bank. **Cancellation Policy:** Items cancelled will be charged at 25% of original price prior to move-in, 50% after move-in begins and 100% after installation.

Company Name		Booth Number		<b>All orders are governed by DWA's Payment Policy and Limits of Liability and Responsibility.</b>
Billing Address		City	State Zip Code	
Telephone		Fax	E-mail	
Authorized Contact Signature		Authorized Contact-Please Print	Date	

RETURN TO: DWA Trade Show & Exposition Services  
 6700 NE 59th Place Portland, Oregon 97218  
 Telephone: 503/228-6800 Fax: 503/595-1470  
 E-mail: csr@dwatradeshow.com  
 http://www.dwatradeshow.com

011109R

Total of Items Ordered	\$
Add 9.6% Sales and/or Use Tax	\$
<b>PAYMENT ENCLOSED</b>	\$



CannaCon 2018  
 Washington State Convention Center  
 February 15-17, 2018  
 S02158  
 Advance Price Deadline: February 1, 2018

**ENVIRONMENTALLY FRIENDLY  
 TABLE TOP DISPLAY  
 ORDER FORM**  
 KEEP ORIGINAL & SEND COPY TO DWA



*Cost Effective • Professional Appearance • Environmentally Friendly*

Display prices below are all based on print-ready artwork being provided to DWA. Please refer to the Graphic Files Submission Guidelines form for all file specifications and FTP upload procedures. If you would like DWA to design your display for you, graphic design labor charges will apply. Please contact our Customer Service Department at 503-228-6800 with any questions.

Quantity	Size	Advance	Standard	Total
	<sup>8017</sup> 24" x 60" Table Top Display	\$ 90.00	\$117.00	\$
	<sup>8018</sup> 32" x 72" Table Top Display	\$135.00	\$175.00	\$
	<sup>8019</sup> 36" x 84" Table Top Display	\$185.00	\$235.00	\$
	<sup>8020</sup> Graphic Design Labor, per hour	\$ 65.00	\$ 95.00	\$
	<sup>8015</sup> Carrying Envelope made from nylon reinforced vinyl	\$ 45.00	\$ 60.00	\$

**SIGN ORDER POLICY**  
 Table top displays cancelled or changed after work has been started will be charged at 100% of the original price. Orders received after Advance Price Deadline will be charged at Rush Charge prices.

Include Sales and/or Use Taxes as indicated. Make payment in U.S funds drawn on a U.S. bank.

Company Name		Booth Number		<b>All orders are governed by DWA's Payment Policy and Limits of Liability and Responsibility.</b>
Billing Address		City	State Zip Code	
Telephone	Fax	E-mail		
Authorized Contact Signature	Authorized Contact-Please Print	Date		

RETURN TO: DWA Trade Show & Exposition Services  
 6700 NE 59th Place Portland, Oregon 97218  
 Telephone: 503/228-6800 Fax: 503/595-1470  
 E-mail: csr@dwatradeshow.com  
 http://www.dwatradeshow.com

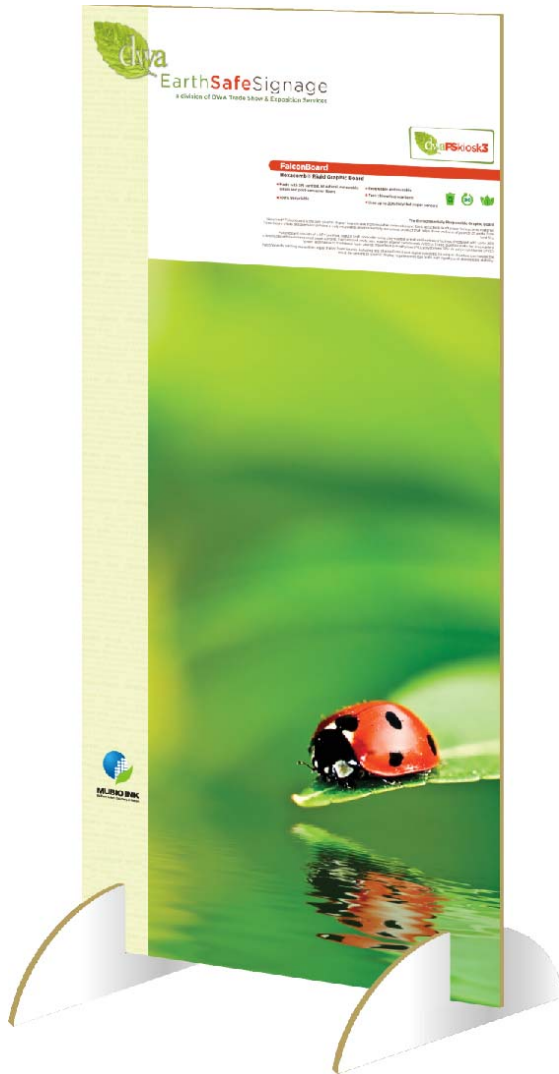
011109R

Total of Items Ordered	\$
Add 9.6% Sales and/or Use Tax	\$
<b>PAYMENT ENCLOSED</b>	\$



CannaCon 2018  
 Washington State Convention Center  
 February 15-17, 2018  
 S02158  
 Advance Price Deadline: February 1, 2018

**ENVIRONMENTALLY FRIENDLY  
 CARDBOARD KIOSK DISPLAY  
 ORDER FORM**  
 KEEP ORIGINAL & SEND COPY TO DWA



The Cardboard Kiosk Display is a 100% recyclable/biodegradable display and is durable enough for multiple uses. It is made entirely with FalconBoard, a rigid graphic board that prints vibrant graphics in a satiny finish.

FalconBoard is the only graphic display board made from reusable and 100% recyclable kraft paper honeycomb material. FalconBoard offers designers and printers a truly recyclable, environmentally-conscious product that helps divert millions of pounds of waste from landfills.



Display prices below are all based on print-ready artwork being provided to DWA. Please refer to the Graphic Files Submission Guidelines form for all file specifications and FTP upload procedures. If you would like DWA to design your display for you, graphic design labor charges will apply. Please contact our Customer Service Department at 503-228-6800 with any questions.

Quantity	Size	Advance	Standard	Total
8109	36" x 84" Kiosk Display w/feet	\$ 250.00	\$310.00	\$
8020	Graphic Design Labor, per hour	\$ 65.00	\$ 95.00	\$

**SIGN ORDER POLICY**  
 Kiosk displays cancelled or changed after work has been started will be charged at 100% of the original price. Orders received after Advance Price Deadline will be charged at Rush Charge prices.

Include Sales and/or Use Taxes as indicated. Make payment in U.S funds drawn on a U.S. bank.

Company Name		Booth Number	
Billing Address		City	State Zip Code
Telephone		Fax	E-mail
Authorized Contact Signature		Authorized Contact-Please Print	Date

**All orders are governed by DWA's Payment Policy and Limits of Liability and Responsibility.**

RETURN TO: DWA Trade Show & Exposition Services  
 6700 NE 59th Place Portland, Oregon 97218  
 Telephone: 503/228-6800 Fax: 503/595-1470  
 E-mail: csr@dwa tradeshow.com  
 http://www.dwa tradeshow.com

011109R

Total of Items Ordered	\$
Add 9.6% Sales and/or Use Tax	\$
<b>PAYMENT ENCLOSED</b>	\$



CannaCon 2018  
 Washington State Convention Center  
 February 15-17, 2018  
 S02158  
 Advance Price Deadline: February 1, 2018

**STANDARD SIGN & BANNER  
 ORDER FORM**  
 KEEP ORIGINAL & SEND COPY TO DWA

**STANDARD SIGNS**  
 Signs are full-color digital graphics laminated and mounted to foamcore.

Quantity	Size	Advance	Standard	Total	
	<small>8001</small> 7" x 11"	\$ 30.00	\$ 45.00		<b>SIGN ORDER POLICY</b> Signs cancelled or changed after work has been started will be charged at 100% of the original price. Orders received after Advance Price Deadline will be charged at Standard prices.
	<small>8002</small> 7" x 44"	\$ 37.00	\$ 56.00		
	<small>8003</small> 11" x 14"	\$ 37.00	\$ 56.00		
	<small>8004</small> 14" x 22"	\$ 44.00	\$ 66.00		
	<small>8005</small> 22" x 28"	\$ 65.00	\$ 97.00		
	<small>8008</small> 24" x 36"	\$ 75.00	\$ 105.00		
	<small>8006</small> 28" x 44"	\$ 84.00	\$ 118.00		
	<small>8007</small> 40" x 60"	\$146.00	\$ 217.00		
	<small>8009</small> 3' x 8'	\$175.00	\$ 253.00		
	<small>8010</small> 4' x 8'	\$195.00	\$ 273.00		
	<small>8011</small> Grommet, per piece	\$ 1.00	\$ 1.50		<input type="checkbox"/> Please indicate here if you would like us to call you and provide more information and pricing on banners, cut-out letters, logos, silk screening, special graphics, or any other items.
	<small>8013</small> Easel Back, per piece	\$ 5.00	\$ 6.00		
	<small>8021</small> Banner	Call for Quote	Call for Quote		
	<small>8020</small> Designer Labor, per hour <small>(for specific/custom design needs)</small>	\$ 65.00	Call for Quote		

Choose sign orientation:  
 (Check appropriate box)

 Horizontal

 Vertical

 Use Your Judgement for Sign Layout

Specify sign copy and indicate colors here. Please print clearly, if more space is needed attach a separate piece of paper.

In order to ensure that your graphic images come out at the highest quality, send EPS vector art whenever possible. Photo-based or bitmap art should be in TIFF format and should be at least 600 dpi at 1/8th size. All colors in files and links should be set up and specified as CMYK (no RGB or spot colors). Include all screen and printer fonts used in your artwork (true type fonts) or convert all text to curves. Always include a hard copy or PDF file of your artwork.

Company Name		Booth Number		<b>All orders are governed by DWA's Payment Policy and Limits of Liability and Responsibility.</b>
Billing Address		City	State Zip Code	
Telephone	Fax	E-mail		
Authorized Contact Signature	Authorized Contact-Please Print	Date		

RETURN TO: DWA Trade Show & Exposition Services  
 6700 NE 59th Place Portland, Oregon 97218  
 Telephone: 503/228-6800 Fax: 503/595-1470  
 E-mail: csr@dwa tradeshow.com  
 http://www.dwa tradeshow.com

Total Graphics Ordered	\$	
Add 9.6% Sales and/or Use Tax	\$	
<b>PAYMENT ENCLOSED</b>	\$	



CannaCon 2018  
Washington State Convention Center  
February 15-17, 2018  
S02158  
Advance Price Deadline: February 1, 2018

## GRAPHICS FILE SUBMISSION GUIDELINES

Any files that do not conform to the specifications described below will incur additional fees beyond the current pricing shown in our exhibitor kits. Print-ready PDF is the only acceptable file type without incurring graphic design charges. Any in-house work that is needed to modify files provided by client to a print ready state will be billed at \$65.00 per hour with a half-hour minimum. Any files that must be opened in their native application and exported to the required file types below do not conform to this specification.

### FILE TYPES

Digital files (logos, photos, finished layouts, etc.) should be saved or exported from your design application to PDF, EPS or TIFF with a minimum resolution of 300 dpi at 50% OF THE FINAL PRODUCTION SIZE. The higher the resolution provided, the better the results. JPEG's are less desirable but can be accepted if the resolution is 300 dpi or higher. Company logos should always be sent in a vector-based format to ensure a crisp, clean logo print. Placed images are to be embedded rather than linked. If files are linked, be sure to send the linked sites.

**PLEASE DO NOT** submit GIF files, Word (.doc) files, Power Point (.ppt.) files, Publisher files, InDesign files or any file formatted for or taken from a website. Web graphics are not suited for large format printing. This is a very common error and should be avoided.

### PAGE LAYOUT / IMAGE SIZE

Image should be cropped and scaled to intended print size or to a percentage of print size (no less than 25% for vector based, 50% for bitmap based). Remove non-printing borders. Final resolution should be NO LESS than 100 dpi at FINAL print size. Higher resolutions will produce superior results. Image should be flattened, no layers and/or transparent objects. Color halftone images should be submitted in CMYK color mode. If arrangements are made ahead of time with our Graphics Department, Native files can be sent if any changes or additions are anticipated but these should not be considered as the primary print files.

### FONTS

All fonts should be converted to outlines or paths. Text should be converted to outlines to ensure kerning, leading and font size stay exactly as designed. Send font files if there is an anticipation of any changes or additions. Any in-house changes will be billed as described above.

### PROOFING

A clean, hard copy proof and a PDF proof should be sent along with the print files for reference. Files provided without proofs will be printed as is without correction applied. Any re-prints necessary due to proofs not being provided are done at additional cost to the client.

### BLEED

Graphics must include one-eighth inch of bleed for products mounted on the following substrates: Dibond, aluminum, plywood, sintra and acrylics.

### COLOR MODE

Files may be submitted in CMYK or RGB. You may also include PMS colors in your graphics (Coated palettes only). Although PMS colors will be run as 4-color process, keep them as spot colors in your documents to ensure a more accurate match.

### CRITICAL COLORS

All Pantone and critical call out values must be specified in writing to DWA at the time of submission. Please note that approximate matching of any one color requires additional time and resources, and an additional charge may apply. DWA cannot guarantee that the colors on your final print will match the colors produced by your monitor – monitors produce a greater range of color, brightness and saturation than any printer.

### SENDING FILES

Files can be sent on CD-ROM or DVD (recommended for extremely large, high resolution files) or posted to your FTP site or any online file transmission site i.e., Dropbox. For information on our web based file transfer services, contact us at [signs@dwa tradeshow.com](mailto:signs@dwa tradeshow.com) or at 503-595-1465. Smaller files (-10MB) can be emailed directly to [signs@dwa tradeshow.com](mailto:signs@dwa tradeshow.com).





CannaCon 2018  
 Washington State Convention Center  
 February 15-17, 2018  
 S02158  
 Advance Price Deadline: February 1, 2018

**CLEANING ORDER FORM**  
 KEEP ORIGINAL & SEND COPY TO DWA

**BOOTH CLEANING SERVICES (Please check your selections)**

To ensure your booth is show-ready, please specify your requirements below. DWA is the exclusive cleaning contractor for your show and will handle all cleaning services on the exhibit floor.

VACUUMING		ADVANCE	STANDARD
<input type="checkbox"/> 5000	BEFORE SHOW OPENS ONLY .....	cost per square foot	\$ .30 \$ .38
<input type="checkbox"/> 50_0	DAILY * .....	cost per square foot	\$ .25 \$ .29

SHAMPOOING		ADVANCE	STANDARD
<input type="checkbox"/> 5090	BEFORE SHOW OPENS ONLY .....	cost per square foot	\$ .45 \$ .56
<input type="checkbox"/> 5091	DAILY * .....	cost per square foot	\$ .43 \$ .53

PERIODIC PORTER SERVICE		ADVANCE	STANDARD
PORTER SERVICE - (DWA will empty wastebaskets at two-hour intervals, show hours only, for the duration of the event. Vacuuming not included.)			
<input type="checkbox"/> 5200	0 to 500 square feet per day	\$58.00	\$68.00
<input type="checkbox"/> 5210	501 to 1500 square feet per day	\$68.00	\$78.00
<input type="checkbox"/> 5220	1501 to 3000 square feet per day	\$78.00	\$88.00
<input type="checkbox"/> 5230	3001 square feet and higher per day	\$85.00	\$97.00
HOURLY PORTER SERVICE - (Use for trash removal, booth wipedown, etc. Hourly rates below.)			
<input type="checkbox"/> 5240/50	We will require porter service. Please contact us at booth before show opening.		
		ADVANCE	STANDARD
Straight Time	between 8:00 am and 4:30 pm weekdays	\$58.00 per hr	\$68.00 per hr
Overtime	before 8:00 am and after 4:30 pm weekdays and all day Saturdays and Sundays	\$87.00 per hr	\$107.00 per hr

**CALCULATION OF ORDER** - Vacuuming and shampooing will be invoiced on the total area of your booth, 100 sq. ft. min.  
 \*Calculate  days when ordering daily service. Booth Dimensions \_\_\_\_ x \_\_\_\_ = \_\_\_\_ sq. ft.

	SQ FT (100 SF MIN.)	X	RATE	x	NO. OF DAYS*	TOTAL
Vacuuming						\$
Shampooing						\$
Porter Service						\$

To avoid any misunderstanding regarding these services, please bring any discrepancies to our attention prior to the show closing. DWA will be unable to adjust invoices after the close of show.

Company Name	Booth Number			<b>All orders are governed by DWA's Payment Policy and Limits of Liability and Responsibility.</b>
Billing Address	City	State	Zip Code	
Telephone	Fax	E-mail		
Authorized Contact Signature	Authorized Contact-Please Print		Date	

RETURN TO: DWA Trade Show & Exposition Services  
 6700 NE 59th Place Portland, Oregon 97218  
 Telephone: 503/228-6800 Fax: 503/595-1470  
 E-mail: csr@dwatradeshow.com  
 http://www.dwatradeshow.com

Vacuuming	\$
Shampooing	\$
Porter Service	\$
Total All Lines	\$
PAYMENT ENCLOSED	\$



CannaCon 2018  
 Washington State Convention Center  
 February 15-17, 2018  
 S02158  
 Advance Price Deadline: February 1, 2018

**LABOR  
ORDER FORM**  
KEEP ORIGINAL & SEND COPY TO DWA

**LABOR SERVICES (Please indicate services desired)**

**DWA SUPERVISED (OK to proceed without exhibitor/display house supervision) Please check all that apply. Please complete information needed on page two of labor form.**

Installation

Exhibits are set up prior to exhibitor's arrival under the direction of DWA supervisors.  
 A 25% (\$30.00 minimum) surcharge will be added to the labor rates below for this supervision.

Dismantle

Exhibits are dismantled after show closing under the direction of DWA supervisors.  
 A 25% (\$30.00 minimum) surcharge will be added to the labor rates below for this supervision.

**EXHIBITOR SUPERVISED (Do not proceed without exhibitor/display house supervision) Exhibitor will supervise: (Please check all that apply)**

Installation

Exhibitor will need \_\_\_ workers on (date) \_\_\_\_\_ at (time) \_\_\_\_\_ AM PM for (hours) \_\_\_\_\_

Dismantle

Exhibitor will need \_\_\_ workers on (date) \_\_\_\_\_ at (time) \_\_\_\_\_ AM PM for (hours) \_\_\_\_\_

Starting time can be guaranteed only in those instances where labor is requested for the start of the working day, which is 8:00 am. **Check in at the DWA service desk to pick up your labor.**

**LABOR RATES**

		ADVANCE	STANDARD
Straight Time	between 8:00 am and 4:30 pm weekdays	\$68.00 per hr	\$78.00 per hr
Overtime	before 8:00 am and after 4:30 pm weekdays and all day Saturdays and Sundays	\$102.00 per hr	\$112.00 per hr

Please estimate the number of workers and hours per worker needed below. Invoices will be calculated according to actual hours worked. Labor canceled without 24 hour notice shall be charged a one (1) hour cancellation fee per worker.

	No. of workers	x	Hours per worker	=	Total worker hours	at Rate	Total
Installation						\$ _____/hr.	\$
Dismantle						\$ _____/hr.	\$

The minimum charge for labor is one (1) hour per worker. After one hour, labor is charged in one-half (1/2) hour increments. Gratuities in any form, including cash and gifts are prohibited.

Company Name	Booth Number			<b>All orders are governed by DWA's Payment Policy and Limits of Liability and Responsibility.</b>
Billing Address	City	State	Zip Code	
Telephone	Fax	E-mail		
Authorized Contact Signature	Authorized Contact-Please Print		Date	

RETURN TO: DWA Trade Show & Exposition Services  
 6700 NE 59th Place Portland, Oregon 97218  
 Telephone: 503/228-6800 Fax: 503/595-1470  
 E-mail: csr@dwa-tradeshow.com  
 http://www.dwa-tradeshow.com

Estimated Labor Services Ordered	\$	
Add 25% (\$30 min.) for Install Supervision	\$	
Add 25% (\$30 min.) for Dismantle Supervision	\$	
Add 9.6% Sales and/or Use Tax	\$	
PAYMENT ENCLOSED	\$	

**(SEE PAGE TWO)**



**INBOUND FREIGHT INFORMATION**

CARRIER \_\_\_\_\_ SHIPPED BY \_\_\_\_\_ DATE \_\_\_\_\_  
 NUMBER OF PIECES \_\_\_\_\_ WEIGHT \_\_\_\_\_ PRO NUMBER \_\_\_\_\_  
 ARRIVAL DATE \_\_\_\_\_ SHIPPED TO:  WAREHOUSE  SHOWSITE

**SET UP INFORMATION FOR DWA INSTALLATION**

SET UP DRAWINGS ATTACHED  RENTAL CARPET COLOR  
 SET UP DRAWINGS WITH EXHIBIT  OWN CARPET COLOR  
 CASE/CRATE NUMBER \_\_\_\_\_  PADDING  
 NUMBER OF WORKERS REQUIRED FOR SET-UP \_\_\_\_\_ APPROXIMATE TIME FOR SET-UP \_\_\_\_\_  
 FORKLIFT ORDERED HRS \_\_\_\_\_ TIME \_\_\_\_\_ SPECIAL EQUIPMENT REQUIRED \_\_\_\_\_

**DID YOU ORDER**

ELECTRICAL  YES  NO ELECTRICAL UNDER CARPET  YES  NO  
 ELECTRICAL DRAWINGS  ATTACHED  SENT TO THE OFFICIAL ELECTRICAL CONTRACTOR  W/EXHIBIT

**OUTBOUND FREIGHT INFORMATION**

**IMPORTANT: You must make arrangements for outbound shipping and contact the carrier of your choice.**

OUTBOUND FREIGHT CHARGES  PREPAID  COLLECT  BILL TO \_\_\_\_\_  
 CONSIGNED TO \_\_\_\_\_  
 ADDRESS \_\_\_\_\_  
 CITY \_\_\_\_\_ STATE \_\_\_\_\_ ZIP \_\_\_\_\_  
 SECOND CONSIGNEE \_\_\_\_\_  
 ADDRESS \_\_\_\_\_  
 CITY \_\_\_\_\_ STATE \_\_\_\_\_ ZIP \_\_\_\_\_  
 DWA STORAGE  
 METHOD  SHOWCARRIER  AIR FREIGHT  VANLINE  OTHER \_\_\_\_\_  
 CARRIER (IF KNOWN) \_\_\_\_\_  
 CONTACT \_\_\_\_\_ PHONE \_\_\_\_\_

**EMERGENCY CONTACT INFORMATION / SHOWSITE CONTACT**

NAME \_\_\_\_\_ TITLE \_\_\_\_\_  
 TELEPHONE \_\_\_\_\_  
 OTHER MEANS OF CONTACTING THIS PERSON \_\_\_\_\_  
 CONTACT'S HOTEL \_\_\_\_\_ ARRIVAL \_\_\_\_\_ DEPARTURE \_\_\_\_\_  
 PURCHASING AUTHORIZATION  YES  NO



CannaCon 2018  
 Washington State Convention Center  
 February 15-17, 2018  
 S02158  
 Advance Price Deadline: February 1, 2018

**SIGN & BANNER HANGING ORDER FORM**  
 KEEP ORIGINAL & SEND COPY TO DWA

**SIGN & BANNER HANGING SERVICES**

DWA and Show Management must have an authorized signature at the bottom of this form and the following information completed in order to approve your sign for hanging.

**SIZE/CONFIGURATION OF SIGN**

Height \_\_\_\_\_ Length \_\_\_\_\_ Width \_\_\_\_\_  
 Square  Rectangle  Circle  Triangle  Other \_\_\_\_\_

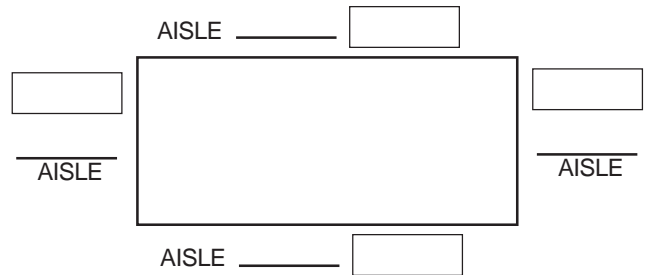
Set up instructions must be provided for signs needing assembly. Print of sign must contain detailed information in order to determine location pick points. All signs must have rigging points and, in case of electrical, be in working order and in accordance with the National Electrical Codes.

Please provide the following information for accurate hanging of your sign:  
 Weight of sign \_\_\_\_\_ (Please note oversized/overweight signs are subject to additional charges.)  
 Please provide footage measurements as requested below:

Floor to Top of Sign	From Left Side of Space	From Right Side of Space	From Bottom Aisle	From Top Aisle
----------------------	-------------------------	--------------------------	-------------------	----------------

Please provide an overview sketch of how your sign should be hung in your booth in the large box to the right. Place booth dimensions in the small boxes.

Booth and Hanging Sign Structural Integrity - A certified statement to be signed by the display house and exhibitor guaranteeing that the stress points for hanging the sign have been engineered properly will be required. DWA will not hang a sign if, in its opinion, it appears unsafe.



**HANGING SIGN RATES**

3150	Scissor Lift for Sign/Banner Installation	\$295.00 per hr, 1 hr min (includes operator)
3151	Scissor Lift for Sign/Banner Removal	\$147.50 per 1/2 hr, 1/2 hr min (includes operator)
3148	Boom Lift for Sign/Banner Installation	\$395.00 per hr, 1 hr min (includes operator and spotter)
3149	Boom Lift for Sign/Banner Removal	\$197.50 per 1/2 hr, 1/2 hr min (includes operator and spotter)
		<u>ADVANCE</u> <u>ADVANCE</u> <u>STANDARD</u> <u>STANDARD</u>
3155/56	Additional Hanging Crew if needed, per worker	\$58.00 S.T./hr    \$87.00 O.T./hr      \$68.00 S.T./hr    \$107.00 O.T./hr
3157	Hanging Poles (if not provided)	\$1.75 per linear foot
Actual hanging times and charges may vary due to hanging points, ceiling heights, obstructions or additional equipment needs.		

To facilitate installation prior to heavy freight congestion, ship your sign crate(s) well in advance and separate from other exhibit materials to our warehouse address indicated on the enclosed Freight Handling Form.

DWA TO PROCEED AND INSTALL, IF POSSIBLE BY:  
 \_\_\_/\_\_\_/\_\_\_ Time \_\_\_:\_\_\_ AM PM

DO NOT PROCEED WITHOUT EXHIBITOR SUPERVISION

SHOW-SITE PRE-ASSEMBLY WILL BE REQUIRED

OUR REPRESENTATIVE WILL BE ON SITE: \_\_\_/\_\_\_/\_\_\_ Time \_\_\_:\_\_\_ AM PM

It is the responsibility of your company to have a representative available at the time of construction and installation of the hanging sign. If no one is present at the pre-arranged time, they will forfeit their right to have their own supervision, and DWA will install and hang the sign at its own discretion with our supervision. A 15% supervision fee will be charged when exhibitor or exhibitor's representative is not present.

Company Name	Booth Number			<b>All orders are governed by DWA's Payment Policy and Limits of Liability and Responsibility.</b>
Billing Address	City	State	Zip Code	
Telephone	Fax	E-mail		
Authorized Contact Signature	Authorized Contact-Please Print	Date		

RETURN TO: DWA Trade Show & Exposition Services  
 6700 NE 59th Place Portland, Oregon 97218  
 Telephone: 503/228-6800 Fax: 503/595-1470  
 E-mail: csr@dwatradeshow.com  
 http://www.dwatradeshow.com

Estimated Services Ordered	\$
PAYMENT ENCLOSED	\$



CannaCon 2018  
 Washington State Convention Center  
 February 15-17, 2018  
 S02158  
 Advance Price Deadline: February 1, 2018

**IN-BOOTH FORKLIFT  
 ORDER FORM**  
 KEEP ORIGINAL & SEND COPY TO DWA

**LABOR & FORKLIFT RATES**

Exhibitors requiring forklifts to assemble displays or when uncrating, unskidding, positioning and reskidding equipment and machinery will need to estimate their needs below. If you require a forklift, a crew, consisting of a forklift with an operator will be assigned. In-booth forklift & labor is not for loading and/or unloading vehicles. **For loading and/or unloading service, please refer to the Material Handling Order Form.**

Hourly Rates	Times	Forklift* w/Operator
<b>Straight Time</b>	between 8:00 am and 4:30 pm weekdays	\$125.00 per hour
<b>Overtime</b>	before 8:00 am and after 4:30 pm weekdays and all day Saturdays and Sundays	\$150.00 per hour

**\*5,000 lbs. maximum capacity. Larger forklift and crane service is available by advance request.**

The minimum charge for equipment and driver is one (1) hour per driver and forklift. Work exceeding the one (1) hour minimum will be charged in half (1/2) hour increments. Forklift service cancelled without 24 hour notice shall be charged a one (1) hour cancellation fee per worker and forklift. If exhibitor fails to use the laborers and equipment at the time confirmed, a one hour late charge per laborer and forklift will apply. Gratuities in any form including gifts or money are prohibited.

**FORKLIFT SERVICES**

Reserve forklifts and/or labor below. Starting times can be guaranteed for advance orders only. Check in at the DWA Service Desk at your scheduled time to confirm forklift service. Due to liability, forklift rental is not available without an authorized DWA operator.

We will need the following services:

Exhibitor will supervise: (Please check all that apply)

- Installation  
 Exhibitor will need \_\_\_\_\_ forklift on (date) \_\_\_\_\_ at (time) \_\_\_\_\_ AM PM for (hours) \_\_\_\_\_
- Dismantle\*  
 Exhibitor will need \_\_\_\_\_ forklift on (date) \_\_\_\_\_ at (time) \_\_\_\_\_ AM PM for (hours) \_\_\_\_\_

*\*Please allow time for return of empty containers.*

Describe work to be done, i.e., uncrate/unskid, position equipment, etc.: \_\_\_\_\_

**CALCULATION OF ORDER**

To guarantee forklifts and laborers, we must receive your order by the deadline date. Please use the formula below to calculate your advance payment. Final invoicing will be done from the actual hours worked.

	No. of forklifts	x	Hours per forklift	=	Total forklift hours	at Rate	Total
Installation						\$ _____/hr.	\$
Dismantle						\$ _____/hr.	\$

Company Name		Booth Number		<b>All orders are governed by DWA's Payment Policy and Limits of Liability and Responsibility.</b>
Billing Address		City	State Zip Code	
Telephone	Fax	E-mail		
Authorized Contact Signature	Authorized Contact-Please Print	Date		

RETURN TO: DWA Trade Show & Exposition Services  
 6700 NE 59th Place Portland, Oregon 97218  
 Telephone: 503/228-6800 Fax: 503/595-1470  
 E-mail: csr@dwa tradeshow.com  
 http://www.dwa tradeshow.com

Estimated Forklift Services Ordered \$	
PAYMENT ENCLOSED \$	



We get your show on the *Road* or in the *Air*

## **YRC Freight is the Show's Recommended Carrier**

Let YRC Freight assist in handling your **Ground, Air** and **Expedited** shipping needs. Just stop by the Exhibitor's Service Desk and speak with our Trade Show Specialist from YRC Freight

### **YRC Freight's Services Advantages:**

#### **Time Critical - Any Need, Any Speed, Guaranteed.**

- By Noon, By 5pm, Hour Window
- Guaranteed, By Noon, By 5 pm, Multiday Window

**Standard Ground** – The most reliable standard ground service in the Exhibit industry

**Caravan Service** – Conveniently transports your exhibit materials from show to show

**Any Size Shipment** – We have the ability to move everything from small packages to full truckloads at competitive prices

**Sealed Exhibit** – Is a safe, secure, guaranteed option to move your shipments and you only pay for the space you need.

**World Class Customer Service** – Our Exhibit customer service offers 24/7 support for your exhibit shipping needs at 1-800-531-EXPO (3976)

**Don't worry if you are a first time user with YRC Freight, because we can establish competitive pricing for your outbound shipment right on the spot!**

Contact us at 1- 800-531-EXPO (3976), [yrcfreight.com](http://yrcfreight.com) or [exhibit.services@yrcfreight.com](mailto:exhibit.services@yrcfreight.com)



CannaCon 2018  
 Washington State Convention Center  
 February 15-17, 2018  
 S02158  
 Advance Price Deadline: February 1, 2018

## SHIPPING INSTRUCTIONS/ MATERIAL HANDLING INFORMATION

DWA Trade Show & Exposition Services is prepared to receive your shipment either in advance at our local warehouse or at the exhibit site. See below for services covered by DWA. You may ship via YRC FREIGHT or the carrier of your choice.

For charges associated with these services, please refer to the Material Handling Order Form. Rates are based on the incoming weight of the shipments. DWA must have payment before forwarding freight.

For uncrating, unskidding, positioning, and reskidding equipment, please refer to the In-Booth Forklift Order Form. If your material requires specialized rigging equipment, please notify us promptly so that we can make arrangements. When possible, supply your own rigging equipment with shipments and pre-rig your equipment.

### ADVANCE SHIPMENTS TO DWA WAREHOUSE CRATES, CARTONS, FIBER CASES ONLY

- Rates Include:
- ✓ Unloading crated freight. The warehouse cannot receive uncrated shipments.
  - ✓ Storing at the warehouse for up to 30 days.
  - ✓ Reloading onto trucks and delivery to the exhibit site.
  - ✓ Unloading freight and delivery to your booth.
  - ✓ Picking up, storing and returning empty shipping containers.
  - ✓ Reloading freight for return to your specified destination.

Make out the bill of lading and consign as follows:

NAME OF EVENT  
 YOUR COMPANY NAME  
 YOUR BOOTH NUMBER  
 C/O DWA Trade Show & Exposition Services  
 6700 NE 59th Place  
 Portland, Oregon 97218

**IMPORTANT!**  
 Last day for shipments to arrive at the advance warehouse without surcharge is  
**February 9, 2018**  
 The warehouse will receive shipments Monday through Friday during the hours of 8:00am to 4:00pm.

### DIRECT SHIPMENTS TO EXHIBIT SITE

- Rates Include:
- ✓ Unloading freight and delivery to your booth.
  - ✓ Picking up, storing and returning empty shipping containers.
  - ✓ Reloading freight for return to your specified destination.

Make out the bill of lading and consign as follows:

NAME OF EVENT  
 YOUR COMPANY NAME  
 YOUR BOOTH NUMBER  
 C/O DWA Trade Show & Exposition Services  
 Facility Name  
 Facility Street Address  
 Facility City, State, Zip

**IMPORTANT!**  
 First day for shipments to arrive at the exhibit site is  
**February 14, 2018**

### OUTGOING SHIPMENTS

Shipping information, bills of lading and labels will be available at the DWA Service Desk. Exhibitors selecting nonofficial carriers will need to make their own arrangements for pickup.

### RETURN TO WAREHOUSE (Optional)

- After the show, DWA can:
- ✓ Deliver freight to the warehouse.
  - ✓ Store freight.

Call the DWA Customer Service Department at 503/228-6800 or stop in during the show at the DWA Service Desk for assistance.

Please read the DWA "Limits of Liability and Responsibility" for important information on freight handling.



CannaCon 2018  
 Washington State Convention Center  
 February 15-17, 2018  
 S02158  
 Advance Price Deadline: February 1, 2018

**MATERIAL HANDLING  
 ORDER FORM**  
 KEEP ORIGINAL & SEND COPY TO DWA

**ARRIVAL DATES FOR SHIPMENTS - PLEASE SCHEDULE SHIPPING CAREFULLY TO MINIMIZE SURCHARGES!**

**ADVANCE:** February 9, 2018

*Last day for crated shipments to arrive at advance warehouse without surcharge. A 25% (\$31.00 minimum) late arrival surcharge based on the below rates will apply to each shipment received at the warehouse after this date.*

**SHOW SITE:** February 14, 2018

*First day for shipments to arrive at exhibit site.*

**MATERIAL HANDLING RATES**  
 Rates are round-trip, per shipment. Use incoming weight only and round up to the next 100 lbs. Rates below are guaranteed if inbound shipments are received at the DWA warehouse or exhibit site before 4:00 PM weekdays. **Late shipments to warehouse are subject to surcharges.** Certified Weight Tickets are required for each shipment.

**ADVANCE SHIPMENTS TO WAREHOUSE**  
 Advance shipments are shipments that can be received at the warehouse up to 30 days prior to the event, delivered to the exhibit site and can be unloaded at the dock and delivered to the booth with no additional handling required. Empty containers will be returned at the close of the show. When packed, the crated materials will be picked up at the booth and loaded onto outbound carriers. Late arrival charges additional, see above for details.

	SHIPMENT WEIGHT X	RATE/100 LBS.	MIN.CHARGE	ESTIMATED CHARGES
Crated and/or Skidded Materials	lbs.	<sup>6001</sup> <b>\$75.00</b>	<sup>6000</sup> <b>\$150.00</b>	\$

**DIRECT SHIPMENTS TO EXHIBIT SITE**  
 Direct shipments are consigned to DWA, shipped directly to the event facility and can be unloaded at the dock and delivered to the booth with no additional handling required. Empty containers will be returned at the close of the show. When packed, the crated materials will be picked up at the booth and loaded onto outbound carriers.

	SHIPMENT WEIGHT X	RATE/100 LBS.	MIN.CHARGE	ESTIMATED CHARGES
Crated and/or Skidded Materials	lbs.	<sup>6011</sup> <b>\$64.00</b>	<sup>6010</sup> <b>\$128.00</b>	\$

**UNCRATED SHIPMENTS**  
 Includes shipments that are not in crates, cases, or boxes and/or are unskidded without proper lifting bars or hooks. Empty containers will be returned at the close of the show.

	SHIPMENT WEIGHT X	RATE/100 LBS.	MIN.CHARGE	ESTIMATED CHARGES
Uncrated and/or Unskidded-Advance	lbs.	<sup>6013</sup> <b>\$82.00</b>	<sup>6012</sup> <b>\$164.00</b>	\$
Uncrated and/or Unskidded-Exhibit Site	lbs.	<sup>6013</sup> <b>\$79.00</b>	<sup>6012</sup> <b>\$150.00</b>	\$

**CRATED SHIPMENTS REQUIRING SPECIAL HANDLING**  
 Includes shipments that are loaded and/or packed in such a manner as to require additional handling such as ground loading, side door loading, constricted space loading, designated piece loading, or stacked shipments. Late arrival charges additional, see above for details.

	SHIPMENT WEIGHT X	RATE/100 LBS.	MIN.CHARGE	ESTIMATED CHARGES
To Warehouse	lbs.	<sup>6041</sup> <b>\$79.00</b>	<sup>6040</sup> <b>\$158.00</b>	\$
To Exhibit Site	lbs.	<sup>6043</sup> <b>\$75.00</b>	<sup>6042</sup> <b>\$150.00</b>	\$

**SMALL PACKAGE SHIPMENTS**  
 Round trip rates, per shipment. Limited to 50 lbs. per shipment, per delivery. Cartons and envelopes received without documentation will be delivered without guarantee of piece count or condition. Includes FedEx and UPS shipments. Late arrival charges additional, see above for details.

	NO. OF CARTONS	FIRST CARTON	EACH ADD'L. CARTON	ESTIMATED CHARGES
Small Packages/Max. 25 lbs. per shipment		<sup>6030</sup> <b>\$34.00</b>	<sup>6031</sup> <b>\$9.00</b>	\$

If your freight remains at the Exhibit Site at the end of the show, there will be a charge of \$12.50 per cwt with a minimum fee of \$325.00 for DWA to return your freight to its warehouse. In addition, there may be a fee for storage. It is the exhibitor's responsibility to arrange for freight pickup from DWA's warehouse.

Company Name		Booth Number		<b>All orders are governed by DWA's Payment Policy and Limits of Liability and Responsibility.</b>
Billing Address		City	State Zip Code	
Telephone		Fax	E-mail	
Authorized Contact Signature		Authorized Contact-Please Print Date		

RETURN TO: DWA Trade Show & Exposition Services  
 6700 NE 59th Place Portland, Oregon 97218  
 Telephone: 503/228-6800 Fax: 503/595-1470  
 E-mail: csr@dwatradeshow.com  
 http://www.dwatradeshow.com

Total Estimated Charges	\$
PAYMENT ENCLOSED	\$

Invoicing will be done from the actual weight, not the above estimates.



# RUSH!

## EXHIBITION FREIGHT

FROM:

### WAREHOUSE SHIPMENT

TO: \_\_\_\_\_  
EXHIBITING COMPANY

**CannaCon 2018**  
NAME OF EXHIBITION

\_\_\_\_\_  
BOOTH NUMBER

C/O DWA TRADE SHOW & EXPO SERVICES  
YRC Freight  
12855 48th Avenue South  
Tukwila, WA 98168

Carrier \_\_\_\_\_

Number \_\_\_\_\_ of \_\_\_\_\_ pieces



# RUSH!

## EXHIBITION FREIGHT

FROM:

### WAREHOUSE SHIPMENT

TO: \_\_\_\_\_  
EXHIBITING COMPANY

**CannaCon 2018**  
NAME OF EXHIBITION

\_\_\_\_\_  
BOOTH NUMBER

C/O DWA TRADE SHOW & EXPO SERVICES  
YRC Freight  
12855 48th Avenue South  
Tukwila, WA 98168

Carrier \_\_\_\_\_

Number \_\_\_\_\_ of \_\_\_\_\_ pieces



# RUSH!

## EXHIBITION FREIGHT

FROM:

### WAREHOUSE SHIPMENT

TO: \_\_\_\_\_  
EXHIBITING COMPANY

**CannaCon 2018**  
NAME OF EXHIBITION

\_\_\_\_\_  
BOOTH NUMBER

C/O DWA TRADE SHOW & EXPO SERVICES  
YRC Freight  
12855 48th Avenue South  
Tukwila, WA 98168

Carrier \_\_\_\_\_

Number \_\_\_\_\_ of \_\_\_\_\_ pieces



# RUSH!

## EXHIBITION FREIGHT

FROM:

### WAREHOUSE SHIPMENT

TO: \_\_\_\_\_  
EXHIBITING COMPANY

**CannaCon 2018**  
NAME OF EXHIBITION

\_\_\_\_\_  
BOOTH NUMBER

C/O DWA TRADE SHOW & EXPO SERVICES  
YRC Freight  
12855 48th Avenue South  
Tukwila, WA 98168

Carrier \_\_\_\_\_

Number \_\_\_\_\_ of \_\_\_\_\_ pieces



# RUSH!

## EXHIBITION FREIGHT

FROM:

**DIRECT YRC, UPS, FED EX & AIR CARRIER SHIPMENT**

TO: \_\_\_\_\_

EXHIBITING COMPANY

**CannaCon 2018**

NAME OF EXHIBITION

BOOTH NUMBER

C/O DWA TRADE SHOW & EXPO SERVICES  
Washington State Convention Center  
800 Convention Place  
Seattle, Washington 98101

SHIPMENT WILL BE ACCEPTED BEGINNING: February 14, 2018

Carrier \_\_\_\_\_

Number \_\_\_\_\_ of \_\_\_\_\_ pieces



# RUSH!

## EXHIBITION FREIGHT

FROM:

**DIRECT YRC, UPS, FED EX & AIR CARRIER SHIPMENT**

TO: \_\_\_\_\_

EXHIBITING COMPANY

**CannaCon 2018**

NAME OF EXHIBITION

BOOTH NUMBER

C/O DWA TRADE SHOW & EXPO SERVICES  
Washington State Convention Center  
800 Convention Place  
Seattle, Washington 98101

SHIPMENT WILL BE ACCEPTED BEGINNING: February 14, 2018

Carrier \_\_\_\_\_

Number \_\_\_\_\_ of \_\_\_\_\_ pieces



# RUSH!

## EXHIBITION FREIGHT

FROM:

**DIRECT YRC, UPS, FED EX & AIR CARRIER SHIPMENT**

TO: \_\_\_\_\_

EXHIBITING COMPANY

**CannaCon 2018**

NAME OF EXHIBITION

BOOTH NUMBER

C/O DWA TRADE SHOW & EXPO SERVICES  
Washington State Convention Center  
800 Convention Place  
Seattle, Washington 98101

SHIPMENT WILL BE ACCEPTED BEGINNING: February 14, 2018

Carrier \_\_\_\_\_

Number \_\_\_\_\_ of \_\_\_\_\_ pieces



# RUSH!

## EXHIBITION FREIGHT

FROM:

**DIRECT YRC, UPS, FED EX & AIR CARRIER SHIPMENT**

TO: \_\_\_\_\_

EXHIBITING COMPANY

**CannaCon 2018**

NAME OF EXHIBITION

BOOTH NUMBER

C/O DWA TRADE SHOW & EXPO SERVICES  
Washington State Convention Center  
800 Convention Place  
Seattle, Washington 98101

SHIPMENT WILL BE ACCEPTED BEGINNING: February 14, 2018

Carrier \_\_\_\_\_

Number \_\_\_\_\_ of \_\_\_\_\_ pieces

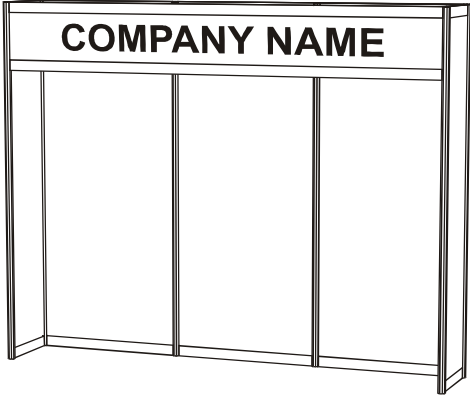


**MODULAR DISPLAY SYSTEM ORDER FORM**

KEEP ORIGINAL & SEND COPY TO DWA

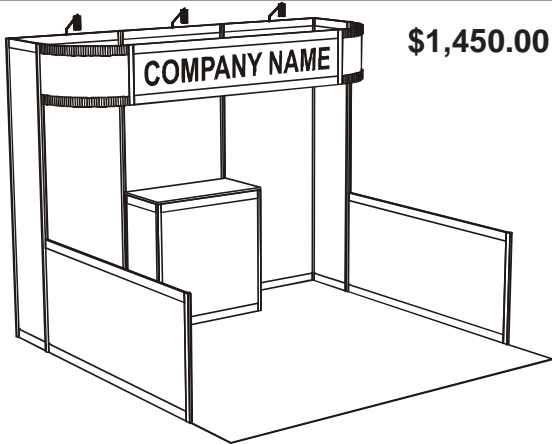
PLEASE CHECK YOUR SELECTION

**\$1075.00** #1



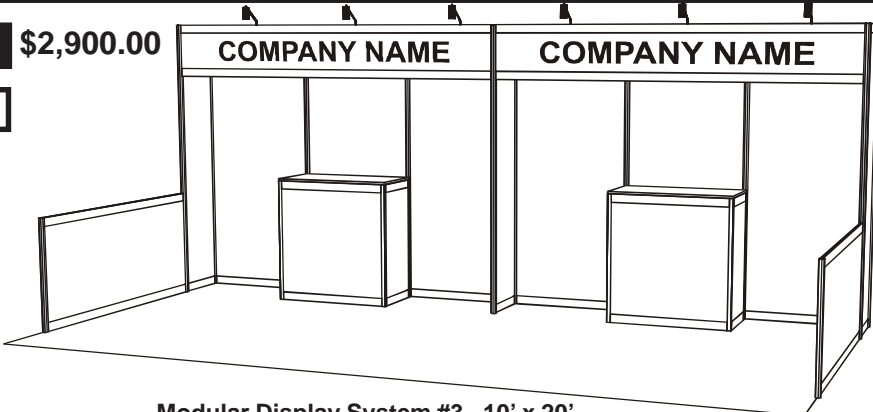
**Modular Display System #1 - 10' Backwall**  
 One White Header with Black Copy

**\$1,450.00** #2



**Modular Display System #2 - 10' x 10'**  
 One White Header with Black Copy  
 One 1 Meter Counter with Sliding Doors  
 Three Arm Lights  
 Standard Booth Carpet

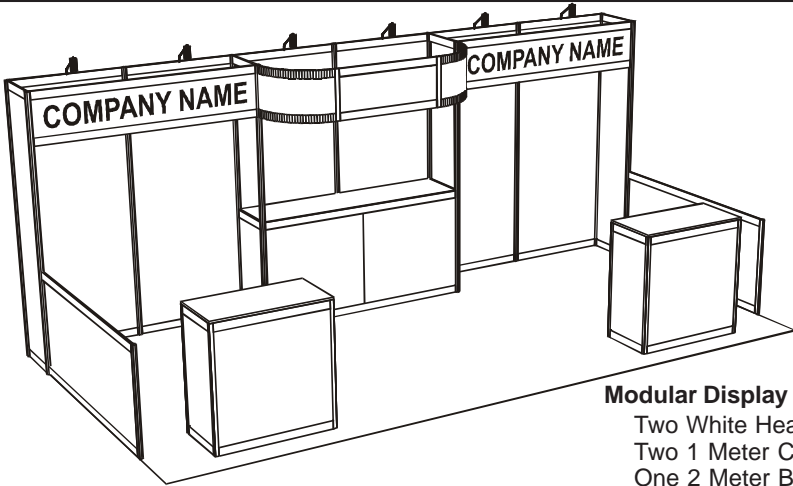
#3 **\$2,900.00**



**Modular Display System #3 - 10' x 20'**  
 Two White headers with Black Copy  
 Two 1 Meter Counters with Sliding Doors  
 Six Arm Lights  
 Standard Booth Carpet

**PLEASE FILL OUT ORDER FORM ON PAGE TWO.**

**\$3,500.00** #4



**Modular Display System #4 - 10' x 20'**  
 Two White Headers with Black Copy  
 Two 1 Meter Counters with Sliding Doors  
 One 2 Meter Built-In Counter with Sliding Doors  
 Six Arm Lights  
 Standard Booth Carpet



CannaCon 2018  
 Washington State Convention Center  
 February 15-17, 2018  
 S02158  
 Advance Price Deadline: February 1, 2018

# MODULAR DISPLAY SYSTEM ORDER FORM

Page Two

KEEP ORIGINAL & SEND COPY TO DWA

<b>Modular Display Systems Include</b> - Installation and dismantling labor - Standard header copy (black)	<b>PLEASE SELECT ONE TYPE OF BACKGROUND PANEL COLOR:</b> Fabric: <input type="checkbox"/> Grey <input type="checkbox"/> Black <input type="checkbox"/> Blue Hardwall: <input type="checkbox"/> White <input type="checkbox"/> Black <input type="checkbox"/> Blue
--	---

**PLEASE SELECT CARPET COLOR CHOICE: (For Modular Display Systems #2, #3, and #4 Only)**

Grey     Blue     Red     Teal     Black     Forest Green     Plum

**INDICATE YOUR HEADER COPY:**

**INDICATE SECOND HEADER COPY: (For Modular Display Systems #3 & #4 Only)**

ACCESSORIES				QUICK TIPS FOR EASY EXHIBITING	
	<u>Quantity</u>		<u>Advance</u>	<u>Standard</u>	
Arm Lights	_____		\$ 38.00	\$ 46.00	* Consider ordering floral accessories to enhance your exhibit on the Plant Order Form enclosed.  * If you are shipping literature or products, please refer to the Material Handling Order Form to arrange for delivery of those items to your exhibit.  * If you have any questions or need assistance in completing your order, please call us and ask for the Customer Service Department.  * Remember to order in advance to save time and money. Orders received after the Deadline Date or without payment will cost you up to an additional 30% over prices indicated and are subject to availability.
Literature Pockets	_____	Letter	\$ 15.00	\$ 15.00	
Light Boxes	_____	Small	\$200.00	N/A	
	_____	Medium	\$250.00	N/A	
	_____	Large	\$325.00	N/A	
Counters	_____	1 Meter	\$200.00	\$275.00	
	_____	2 Meter	\$250.00	\$325.00	
	_____	Curved	\$250.00	\$325.00	
Shelves (40" x 12")	_____	Straight	\$ 30.00	\$ 40.00	
	_____	Angle	\$ 38.00	\$ 48.00	
Wirewall Panels	_____	Black	\$225.00	N/A	

**Please note:** Furniture, vacuum service and electricity are not included in above price. Header copy will be black. For special lettering and/or logo work, please call for a quote.

**Cancellation Policy:** Items cancelled after move-in begins will be charged 100%. Any custom display panels or graphics cancelled after start of construction will be charged 100%.

ALLOW TWO WEEKS FOR ORDER PROCESSING AND UNIT PREPARATION. CALL FOR AVAILABILITY AND PRICING AFTER TWO WEEKS

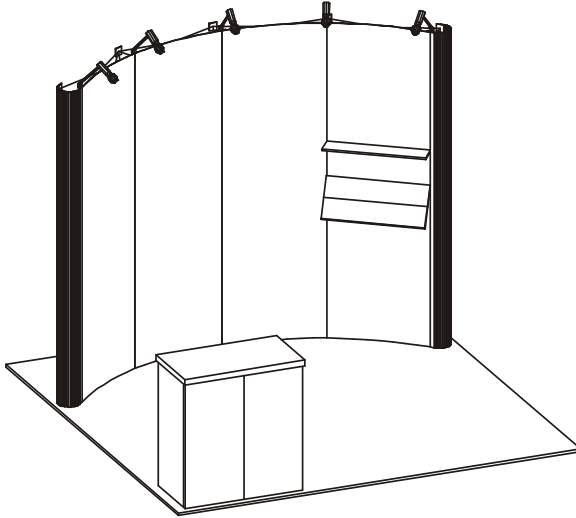
Company Name	Booth Number			<b>All orders are governed by DWA's Payment Policy and Limits of Liability and Responsibility.</b>
Billing Address	City	State	Zip Code	
Telephone	Fax	E-mail		
Authorized Contact Signature	Authorized Contact-Please Print	Date		

RETURN TO: DWA Trade Show & Exposition Services  
 6700 NE 59th Place Portland, Oregon 97218  
 Telephone: 503/228-6800 Fax: 503/595-1470  
 E-mail: csr@dwa-tradeshow.com  
 http://www.dwa-tradeshow.com

100309W

MDS # _____	\$	
Additional Items	\$	
Add 9.6% Sales and/or Use Tax	\$	
PAYMENT ENCLOSED	\$	

PLEASE CHECK YOUR SELECTIONS



**EXPOSURE POP-UP DISPLAY**  
**FEATURES**

- 10' Exhibit
- Shelves
- Spotlights
- Free standing Counter with Shelf

Colors Available:  Black  Silver

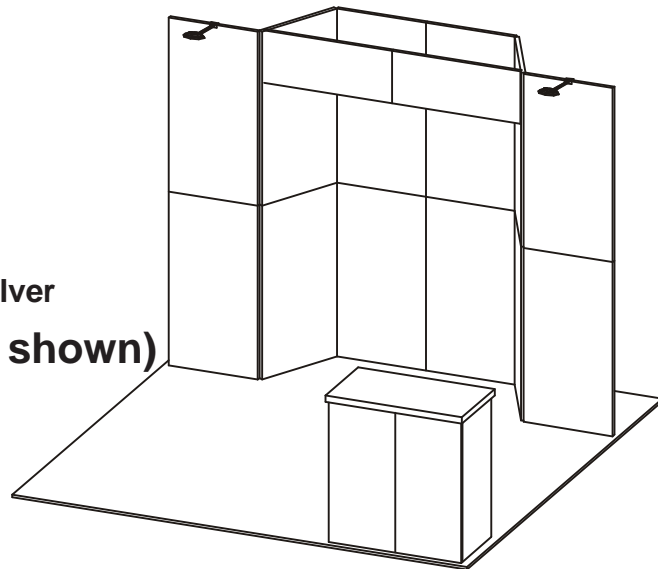
- \$936.00 Full Package (as shown)
- \$675.00 Without Counter

**EXPOSÉ PANEL DISPLAY**  
**FEATURES**

- 10' Exhibit
- Header with Black Copy
- Two Spotlights
- Free standing Counter with Shelf

Colors Available:  Black  Silver

- \$1,023.00 Full Package (as shown)
- \$725.00 Without Counter



**GRAPHICS**

- Headers
- Logo reproduction
- Text graphics
- Photos / murals **Call for quote**

Header Copy:

Prices include installation, rental and removal. Include Sales and/or Use Taxes as indicated. Make payment in U.S funds drawn on a U.S. bank.  
**Cancellation Policy:** Items cancelled will be charged 100% of original price after move-in begins.

Company Name		Booth Number		<b>All orders are governed by DWA's Payment Policy and Limits of Liability and Responsibility.</b>
Billing Address	City	State	Zip Code	
Telephone	Fax	PO#		
Authorized Contact Signature	Authorized Contact-Please Print		Date	

RETURN TO: DWA Trade Show & Exposition Services  
 6700 NE 59th Place Portland, Oregon 97218  
 Telephone: 503/228-6800 Fax: 503/595-1470  
 E-mail: csr@dwa-tradeshow.com  
 http://www.dwa-tradeshow.com

Total Displays/Graphics Ordered	\$	
Add 9.6% Sales and/or Use Tax	\$	
PAYMENT ENCLOSED		\$

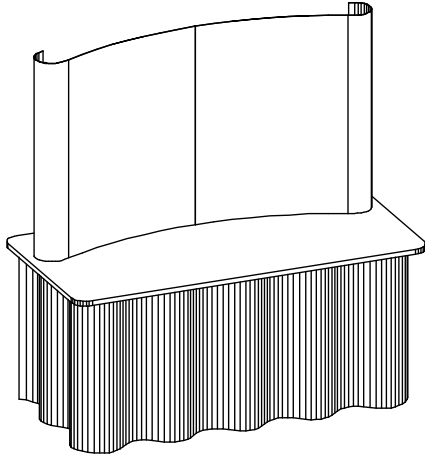


CannaCon 2018  
 Washington State Convention Center  
 February 15-17, 2018  
 S02158  
 Advance Price Deadline: February 1, 2018

**CURVED TABLE TOP  
 RENTAL DISPLAY ORDER FORM**  
 KEEP ORIGINAL & SEND COPY TO DWA

PLEASE CHECK YOUR SELECTION

**6' Table-Top Display\***



Advance  
**\$298.00**

Standard  
**\$357.00**

**FEATURES**

- Two Front Fabric Panels**
- Color: Black**
- Two Curved Fabric End Panels**

**Suggested Accessories**

- One Halogen Light Package - \$35.00**
- Three Standard Light Package - \$85.00**

**\*Table is not included.**

Advance  
**\$350.00**

Standard  
**\$435.00**

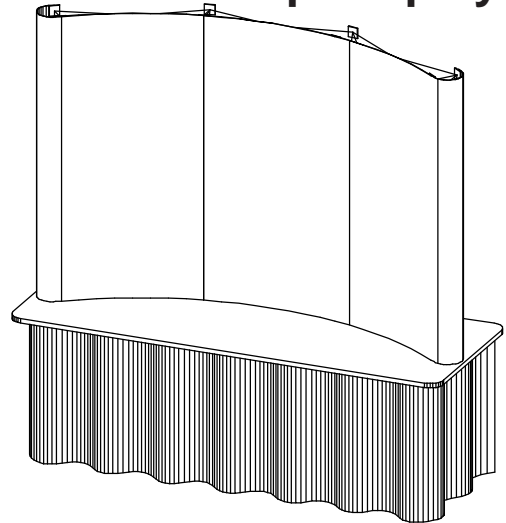
**FEATURES**

- Three Front Fabric Panels**
- Color: Black**
- Two Curved Fabric End Panels**

**Suggested Accessories**

- Two Halogen Light Package - \$70.00**
- Four Standard Light Package - \$105.00**
- Basic Shelf Package**
  - **Slant Literature - Black - \$49.00**
  - **Straight Literature - Black - \$49.00**

**8' Table-Top Display\***



**\*Table is not included.**

Prices include installation, rental and removal. Include Sales and/or Use Taxes as indicated. Make payment in U.S. funds drawn on a U.S. bank.  
**Cancellation Policy:** Items cancelled will be charged 100% of original price after move-in begins.

Company Name		Booth Number		<b>All orders are governed by DWA's Payment Policy and Limits of Liability and Responsibility.</b>
Billing Address	City	State	Zip Code	
Telephone	Fax	PO#		
Authorized Contact Signature	Authorized Contact-Please Print	Date		

RETURN TO: DWA Trade Show & Exposition Services  
 6700 NE 59th Place Portland, Oregon 97218  
 Telephone: 503/228-6800 Fax: 503/595-1470  
 E-mail: csr@dwa tradeshow.com  
 http://www.dwa tradeshow.com

042200R

Total Displays/Graphics Ordered	\$	
Add 9.6% Sales and/or Use Tax	\$	
<b>PAYMENT ENCLOSED</b>		\$

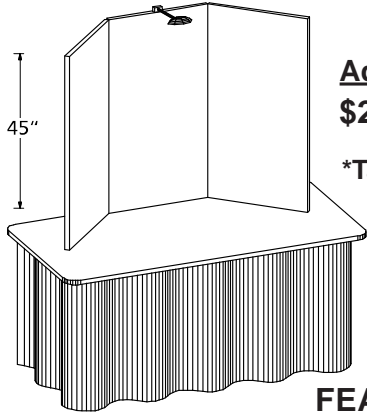


CannaCon 2018  
 Washington State Convention Center  
 February 15-17, 2018  
 S02158  
 Advance Price Deadline: February 1, 2018

**TABLE TOP DISPLAYS  
 RENTAL ORDER FORM**  
 KEEP ORIGINAL & SEND COPY TO DWA

PLEASE CHECK YOUR SELECTIONS

**4' Table-Top Display\***



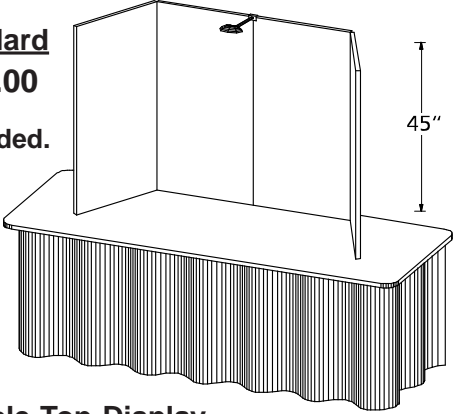
**Advance    Standard**  
**\$225.00    \$265.00**

\*Table is not included.

**FEATURES**  
 Three Panel Table-Top Display  
 One Halogen Spotlight  
 Colors:  Black     Silver

**Suggested Accessories**  
 Halogen Spotlights - \$35.00 Each  
 Header Graphic (Call for Quote)

**6' Table-Top Display\***



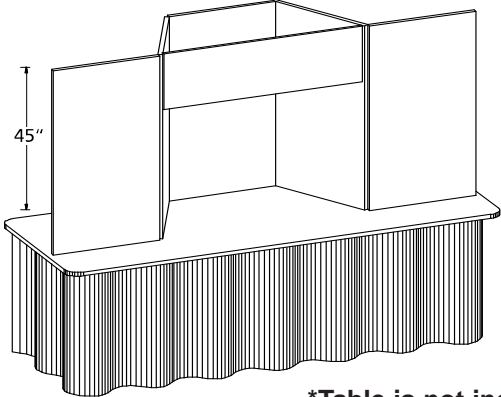
**Advance    Standard**  
**\$265.00    \$315.00**

\*Table is not included.

**FEATURES**  
 Four Panel Table-Top Display  
 One Halogen Spotlight  
 Colors:  Black     Silver

**Suggested Accessories**  
 Halogen Spotlights - \$35.00 Each  
 Header Graphic (Call for Quote)

**8' Table-Top Display\***



**Advance    Standard**  
**\$325.00    \$395.00**

**FEATURES**  
 Five Panel Table-Top Display  
 One Header with Black Copy  
 Colors:  Black     Silver

Header Copy:

\*Table is not included.

**Suggested Accessories**  
 Halogen Spotlight Package - \$70.00

Prices include installation, rental and removal. Include Sales and/or Use Taxes as indicated. Make payment in U.S. funds drawn on a U.S. bank.  
**Cancellation Policy:** Items cancelled will be charged 100% of original price after move-in begins.

Company Name		Booth Number		<b>All orders are governed by DWA's Payment Policy and Limits of Liability and Responsibility.</b>
Billing Address	City	State	Zip Code	
Telephone	Fax	PO#		
Authorized Contact Signature	Authorized Contact-Please Print	Date		

RETURN TO: DWA Trade Show & Exposition Services  
 6700 NE 59th Place Portland, Oregon 97218  
 Telephone: 503/228-6800 Fax: 503/595-1470  
 E-mail: csr@dwa-tradeshow.com  
 http://www.dwa-tradeshow.com

042200R

Total Displays/Graphics Ordered	\$	
Add 9.6% Sales and/or Use Tax	\$	
PAYMENT ENCLOSED	\$	